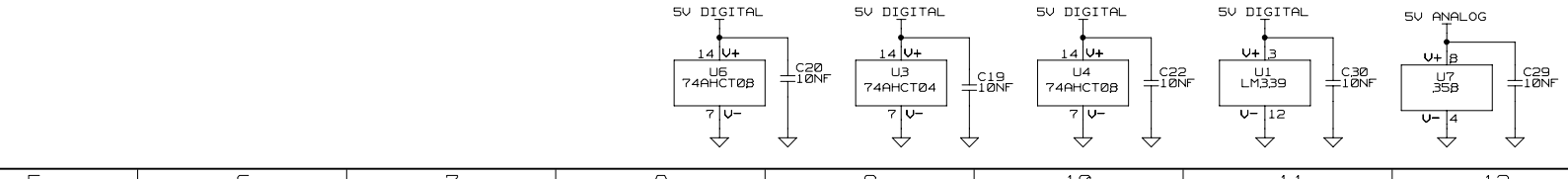
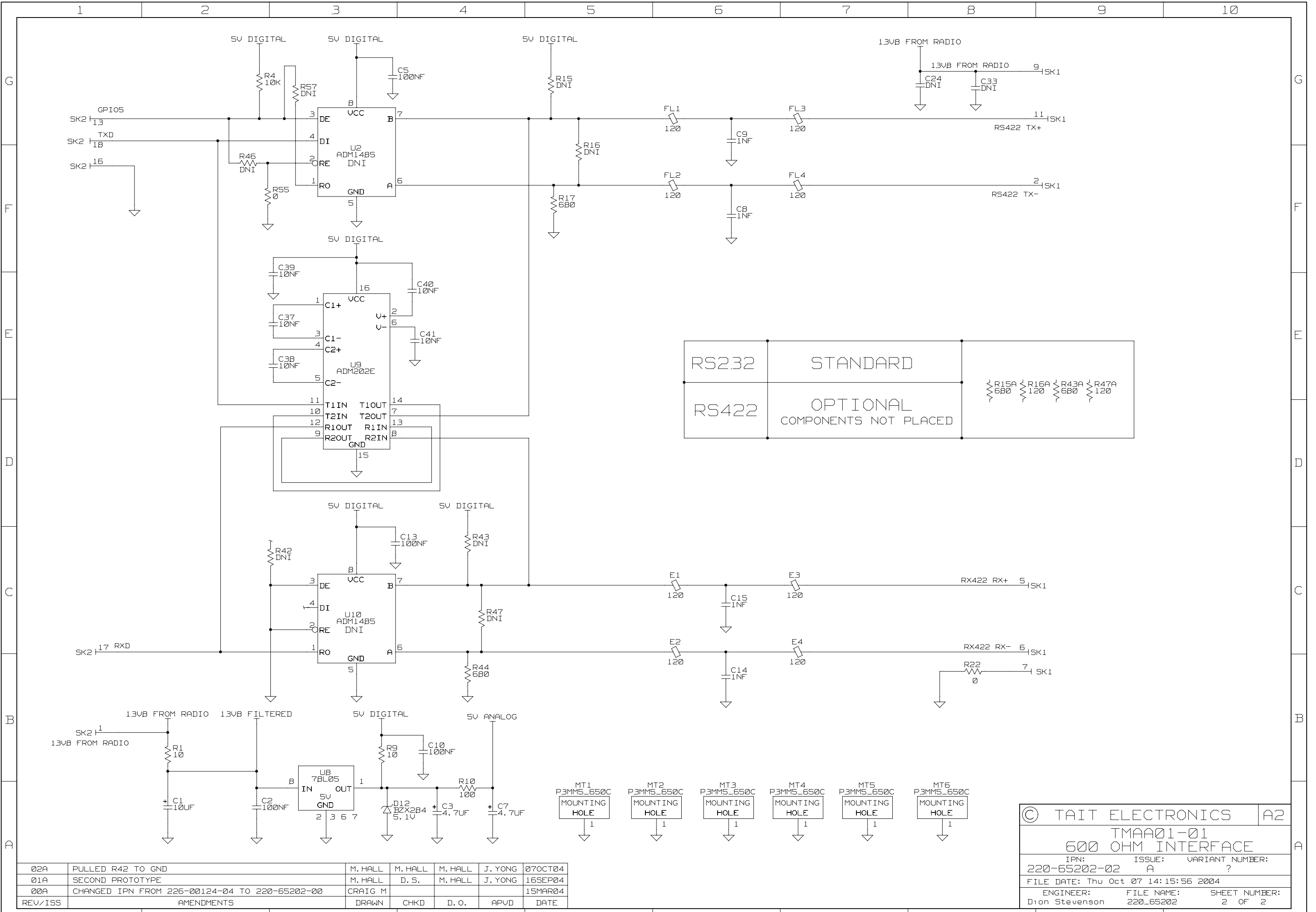


02A	PULLED R42 TO GND	M. HALL	M. HALL	M. HALL	J. YONG	07OCT04
01A	SECOND PROTOTYPE	M. HALL	D. S.	M. HALL	J. YONG	16SEP04
00A	CHANGED IPN FROM 226-00124-04 TO 220-65202-00	CRAIG M				15MAR04
REV/ISS	AMENDMENTS	DRAWN	CHKD	D. O.	APVD	DATE

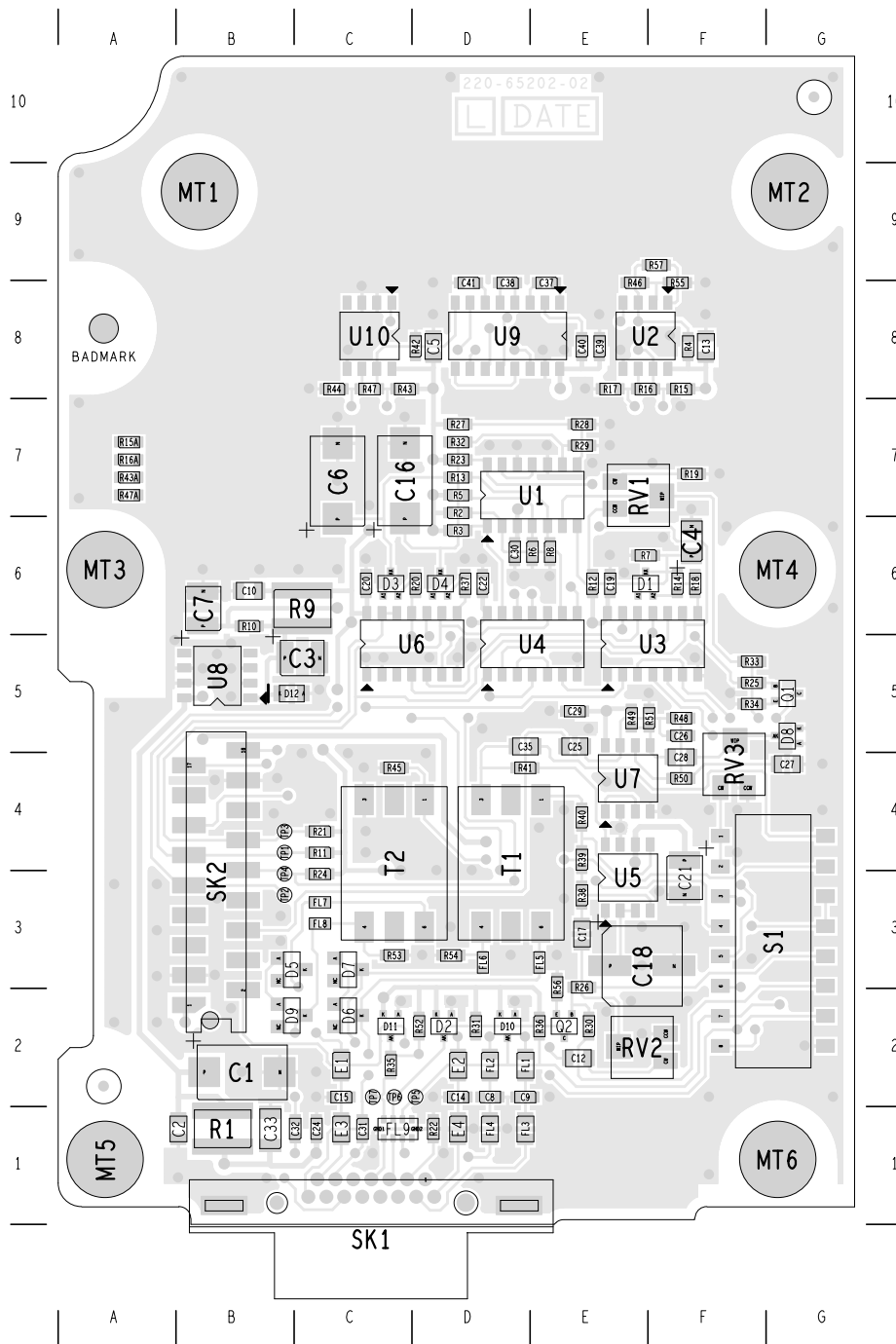


© TAIT ELECTRONICS		A1
TMA01-01		
600 OHM INTERFACE		
IPN:	ISSUE:	VARIANT NUMBER:
220-65202-02	A	?
FILE DATE: Thu Oct 07 14:52:05 2004		
ENGINEER:	FILE NAME:	SHEET NUMBER:
Dion Stevenson	220_65202	1 OF 2

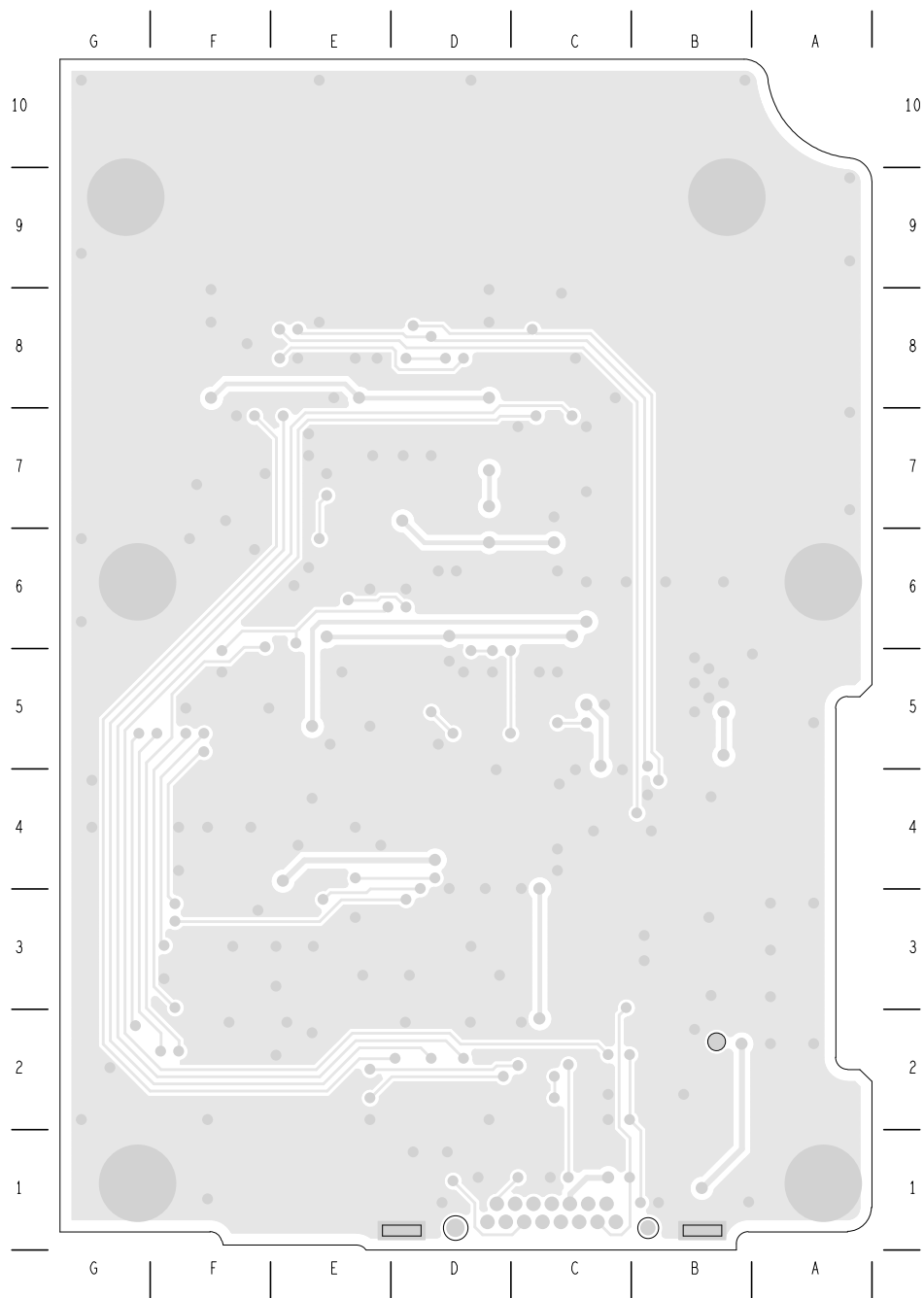


02A	PULLED R42 TO GND	M. HALL	M. HALL	M. HALL	J. YONG	07OCT04
01A	SECOND PROTOTYPE	M. HALL	D. S.	M. HALL	J. YONG	16SEP04
00A	CHANGED IPN FROM 226-00124-04 TO 220-65202-00	CRAIG M				15MAR04
REV/ISS	AMENDMENTS	DRAWN	CHKD	D. O.	APVD	DATE

© TAIT ELECTRONICS A2  
 TMAA01-01  
 600 OHM INTERFACE  
 IPN: 220-65202-02 ISSUE: A VARIANT NUMBER: ?  
 FILE DATE: Thu Oct 07 14:15:56 2004  
 ENGINEER: Dion Stevenson FILE NAME: 220\_65202 SHEET NUMBER: 2 OF 2



TAIT ELECTRONICS	IPN: 220-65202-02	ISS: A	DATE: 70ct04	SCALE: NTS
TMAA01-01 600 OHM LINE INTERFACE LAYOUT-PRIMARY-SIDE				



TAIT ELECTRONICS

IPN:  
220-65202-02

ISS: A  
DATE: 70ct04

SCALE:  
NTS

TMAA01-01 600 OHM LINE INTERFACE LAYOUT-SECONDARY-SIDE